



**FRABO**

**frabo**  
**press**  
**M**  
**RR9041**

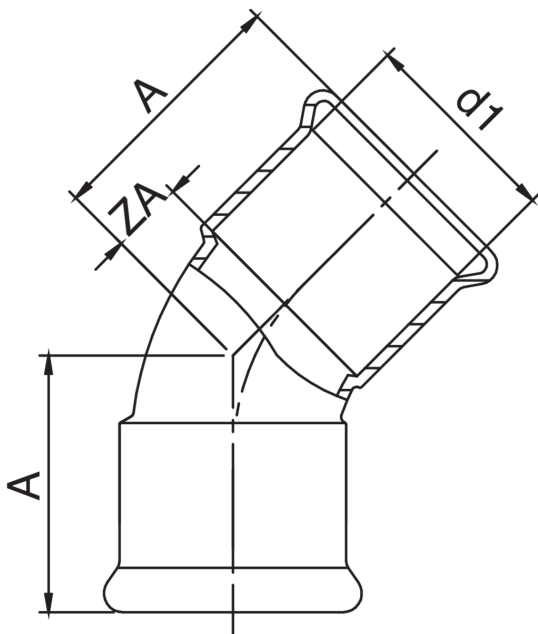
**PATENTED**



Bogen 45° l/l aus Kupfer.



## Technische Spezifikationen



| D1   | BAG | MASTER BOX | CODE            | A   | ZA |
|------|-----|------------|-----------------|-----|----|
| 66,7 | 1   | 10         | RR9041067067000 | 78  | 33 |
| 76,1 | 1   | 10         | RR9041076076000 | 93  | 38 |
| 88,9 | 1   | 4          | RR9041089089000 | 104 | 44 |
| 108  | 1   | 2          | RR9041108108000 | 124 | 68 |

## Anwendungen



DRINKING  
WATER



HEATING



HVAC



COMPRESSED  
AIR



FIREFIGHTING