



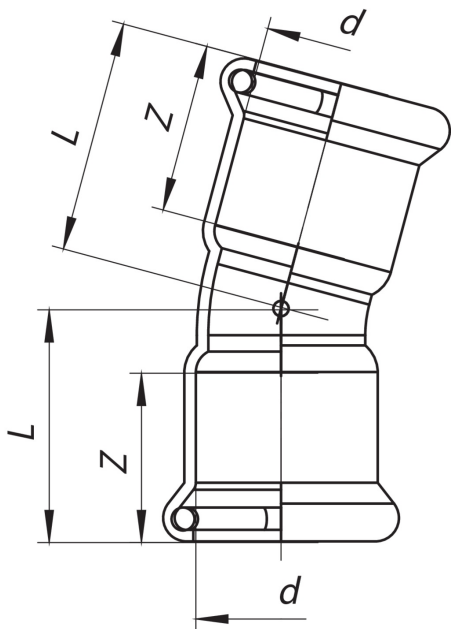
**FRABO**

**TURBO**  
*CuNi*  
**5N2600**



Winkelstück 15°.

## Technische Spezifikationen



| D    | BAG | MASTER BOX | CODE      | L     | Z    |
|------|-----|------------|-----------|-------|------|
| 15   | 10  | 250        | 5N260015  | 25,4  | 19   |
| 18   | 10  | 250        | 5N260018  | 26,2  | 19,5 |
| 22   | 5   | 120        | 5N260022  | 28,1  | 21   |
| 28   | 5   | 60         | 5N260028  | 31,3  | 22   |
| 35   | 5   | 40         | 5N260035  | 55,5  | 27   |
| 42   | 2   | 28         | 5N260042  | 66,2  | 30   |
| 54   | 2   | 16         | 5N260054  | 81,5  | 35   |
| 76,1 | 1   | 6          | 5N260076  | 77,5  | 54   |
| 88,9 | 1   | 6          | 5N260088  | 86    | 61   |
| 108  | 1   | 3          | 5N2600108 | 109,3 | 76   |

## Anwendungen



MARINE