



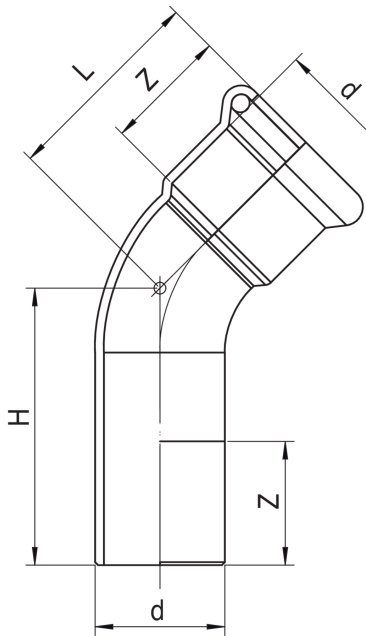
**FRABO**

**TURBO**  
*CuNi*  
**5N1500**



Bogen 45° I/G.

## Technische Spezifikationen



| D    | BAG | MASTER BOX | CODE      | L    | H    | Z    |
|------|-----|------------|-----------|------|------|------|
| 15   | 10  | 250        | 5N150015  | 31   | 43   | 19   |
| 18   | 10  | 250        | 5N150018  | 32   | 45   | 19,5 |
| 22   | 5   | 120        | 5N150022  | 38   | 47   | 21   |
| 28   | 5   | 60         | 5N150028  | 41   | 50   | 22   |
| 35   | 5   | 40         | 5N150035  | 52   | 58,5 | 27   |
| 42   | 2   | 24         | 5N150042  | 66,3 | 72,8 | 30   |
| 54   | 2   | 12         | 5N150054  | 86,3 | 93,3 | 35   |
| 76,1 | 1   | 5          | 5N150076  | 103  | 109  | 54   |
| 88,9 | 1   | 3          | 5N150088  | 116  | 124  | 61   |
| 108  | 1   | 2          | 5N1500108 | 153  | 161  | 76   |

## Anwendungen



MARINE