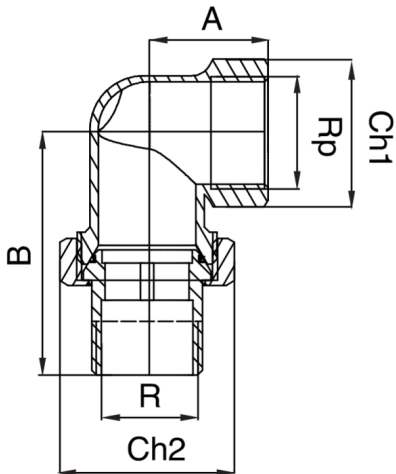


RB3098

Winkel Verschraubung Axl.



Technische Spezifikationen



RP/R	BAG	MASTER BOX	CODE	A	B	CH1	CH2
1/4"	10	200	RB3098A14A14000	23	46	21	27
3/8"	10	100	RB3098A38A38000	23	46	21	27
1/2"	10	80	RB3098A12A12000	25	53	26	30
3/4"	10	70	RB3098A34A34000	26	60	31	37
1"	5	30	RB3098B01B01000	33	68	37	46
1"1/4	1	15	RB3098B14B14000	40	80	48	52
1"1/2	1	20	RB3098B12B12000	40	93	55	64
2"	1	10	RB3098C02000000	55	105	70	82

Anwendungen



DRINKING
WATER



HEATING



HVAC



GAS



COMPRESSED
AIR



SOLAR



FIREFIGHTING