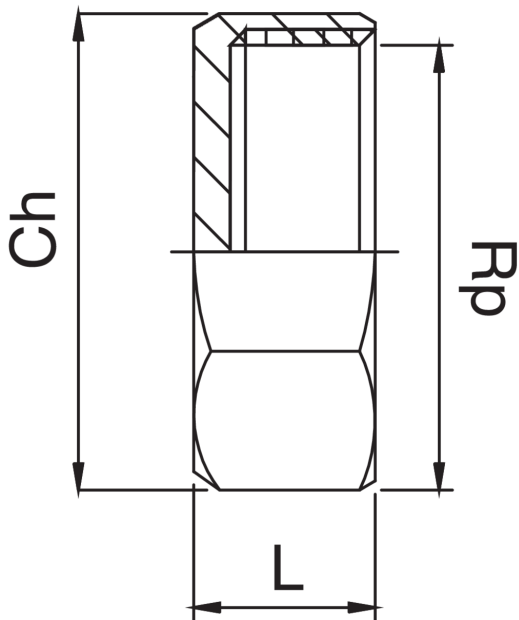


## RB3301

Kappe mit I Gewinde.



### Technische Spezifikationen



RP	BAG	MASTER BOX	CODE	CH	L
3/8"	10	300	RB3301A38000000	21	13
1/2"	10	80	RB3301A12000000	25	16
3/4"	10	80	RB3301A34000000	31	18
1"	10	150	RB3301B01000000	38	21
1"1/4	5	80	RB3301B14000000	48	23
1"1/2	5	80	RB3301B12000000	55	23
2"	5	40	RB3301C02000000	66	24

## Anwendungen



DRINKING  
WATER



HEATING



HVAC



GAS



COMPRESSED  
AIR



SOLAR



FIREFIGHTING