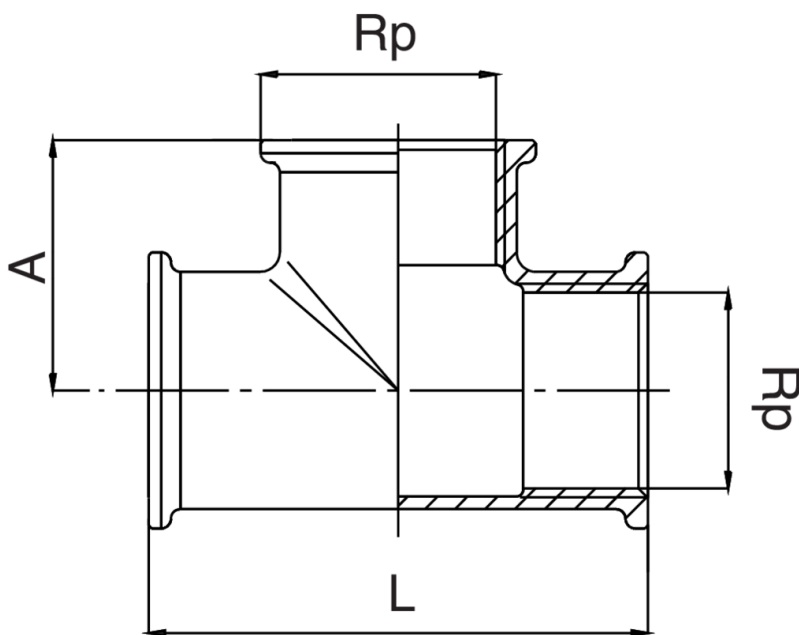


RB3130

T-Stück mit I Gewinde.



Technische Spezifikationen



RP	BAG	MASTER BOX	CODE	A	L
1/4"	10	200	RB3130A14A14A14	20	40
3/8"	10	100	RB3130A38A38A38	20	40
1/2"	10	80	RB3130A12A12A12	23	46
3/4"	5	40	RB3130A34A34A34	30	60
1"	5	25	RB3130B01B01B01	36	72
1"1/4	5	20	RB3130B14B14B14	45	90
1"1/2	1	10	RB3130B12B12B12	49	98
2"	1	8	RB3130C02C02C02	57	114

Anwendungen



DRINKING WATER



HEATING



HVAC



GAS



COMPRESSED AIR



SOLAR



FIREFIGHTING