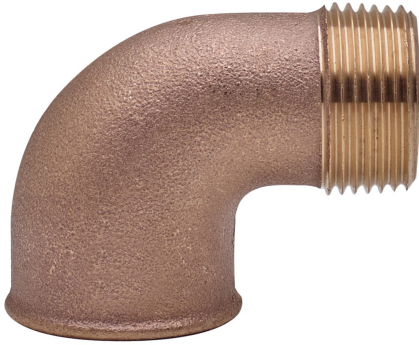
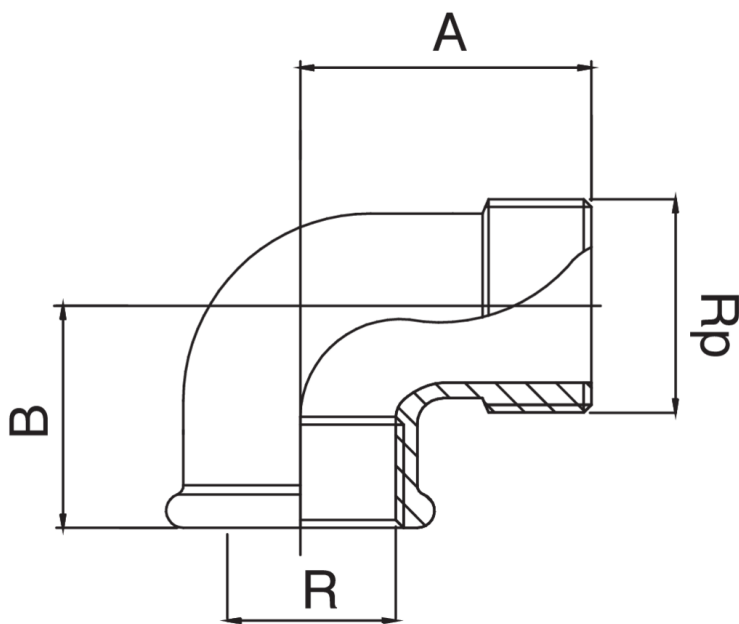


RB3092

Winkel 90° mit AxI Gewinde.



Technische Spezifikationen



R X RP	BAG	MASTER BOX	CODE	A	B
1/4" x 1/4"	10	200	RB3092A14A14000	28	20
3/8" x 3/8"	10	100	RB3092A38A38000	31	20
1/2" x 1/2"	10	100	RB3092A12A12000	31	23
3/4" x 3/4"	5	70	RB3092A34A34000	40	30
1" x 1"	5	40	RB3092B01B01000	47	36
1"1/4 x 1"1/4	5	25	RB3092B14B14000	51	45
1"1/2 x 1"1/2	5	20	RB3092B12B12000	46	49
2" x 2"	1	10	RB3092C02C02000	50	55

Anwendungen



DRINKING WATER



HEATING



HVAC



GAS



COMPRESSED AIR



SOLAR



FIREFIGHTING