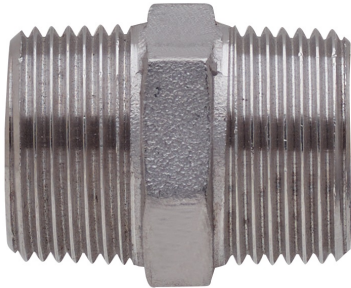
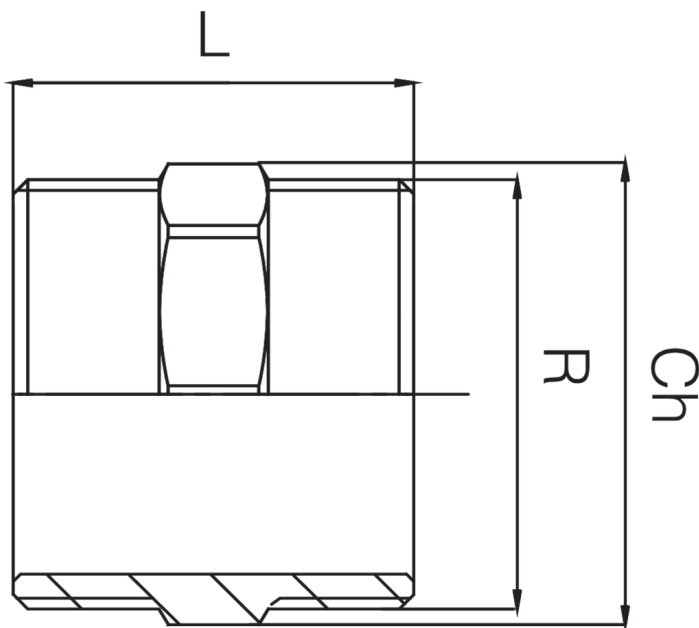


## KR5520

Messing Nippel mit A Gewinde.



### Technische Spezifikationen



| R    | BAG | MASTER BOX | CODE            | L  | CH |
|------|-----|------------|-----------------|----|----|
| 3/8" | 10  | 400        | KR5520A38A38000 | 26 | 17 |
| 1/2" | 10  | 250        | KR5520A12A12000 | 28 | 21 |
| 3/4" | 10  | 150        | KR5520A34A34000 | 31 | 27 |
| 1"   | 10  | 100        | KR5520B01B01000 | 40 | 34 |

# Anwendungen



DRINKING  
WATER



HEATING



HVAC