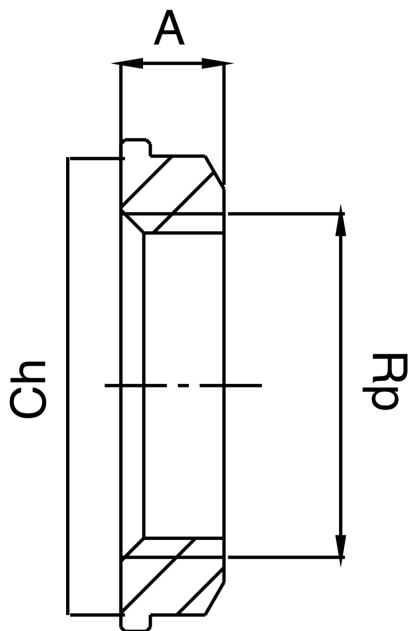


OT5518

Gegenmutter.



Technische Spezifikationen



RP	BAG	MASTER BOX	CODE	A	CH
3/8"	10	300	OT5518A38000000	7	22
1/2"	10	300	OT5518A12000000	8	25
3/4"	10	300	OT5518A34000000	9	30
1"	10	200	OT5518B01000000	9	35,5
1"1/4	5	100	OT5518B14000000	9	45
1"1/2	10	200	OT5518B12000000	9,5	52

Anwendungen



DRINKING WATER



HEATING



HVAC



GAS



COMPRESSED AIR



SOLAR



FIREFIGHTING