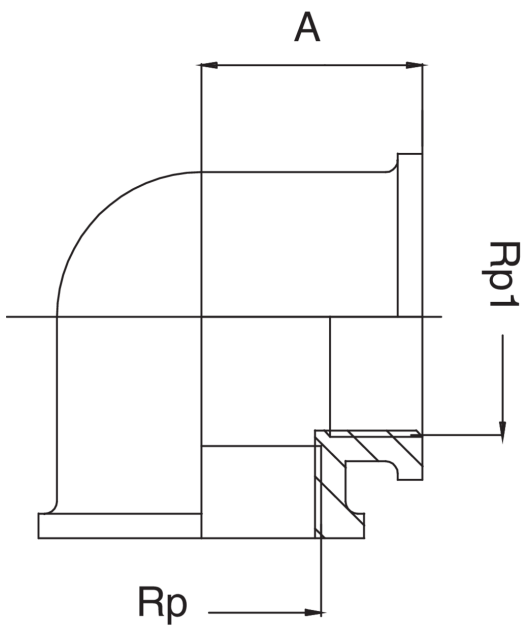


## OT5090

Bogen mit I Gewinde.



### Technische Spezifikationen



RP X RP1	BAG	MASTER BOX	CODE	A
1/4" x 1/4"	10	200	OT5090A14A14000	19
3/8" x 3/8"	10	150	OT5090A38A38000	21
1/2" x 1/2"	10	100	OT5090A12A12000	25
1/2" x 3/4"	10	100	OT5090A12A34000	26
3/4" x 3/4"	5	70	OT5090A34A34000	27
1" x 3/4"	10	50	OT5090B01A34000	29
1" x 1"	5	40	OT5090B01B01000	31
1"1/4 x 1"1/4	5	25	OT5090B14B14000	40
1"1/2 x 1"1/2	5	15	OT5090B12B12000	45
2" x 2"	1	10	OT5090C02C02000	50
2"1/2 x 2"1/2	1	4	OT5090C12C12000	60
3" x 3"	1	5	OT5090D03D03000	70

## Anwendungen



DRINKING  
WATER



HEATING



HVAC



GAS



COMPRESSED  
AIR



SOLAR



FIREFIGHTING