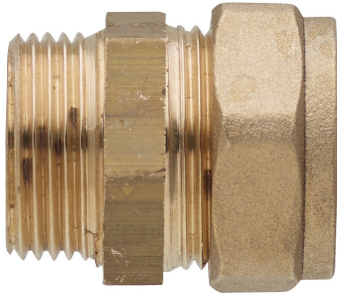
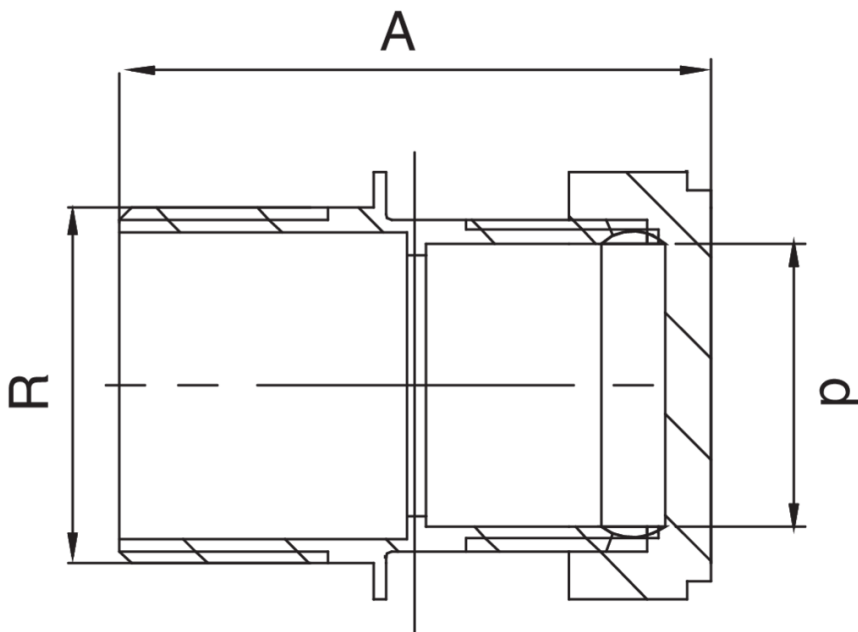


## OT6007

Nippel mit A Gewinde.



### Technische Spezifikationen



D X R	BAG	MASTER BOX	CODE	A
8 x 1/4"	10	100	OT6007A14008000	30
8 x 3/8"	10	900	OT6007A38008000	30
10 x 1/4"	10	100	OT6007A14010000	30
10 x 3/8"	10	250	OT6007A38010000	30
10 x 1/2"	10	200	OT6007A12010000	32
12 x 3/8"	10	250	OT6007A38012000	30
12 x 1/2"	10	250	OT6007A12012000	32,5
14 x 3/8"	10	700	OT6007A38014000	32,5
14 x 1/2"	10	250	OT6007A12014000	34,5
15 x 3/8"	10	100	OT6007A38015000	33
15 x 1/2"	10	250	OT6007A12015000	36
15 x 3/4"	10	100	OT6007A34015000	36
16 x 1/2"	10	250	OT6007A12016000	36
18 x 1/2"	10	100	OT6007A12018000	37,5
18 x 3/4"	10	100	OT6007A34018000	37,5
22 x 3/4"	10	250	OT6007A34022000	37,5
22 x 1"	10	100	OT6007B01022000	41
28 x 1"	10	50	OT6007B01028000	45

## Anwendungen



DRINKING  
WATER



HEATING



HVAC



GAS



COMPRESSED  
AIR



SOLAR