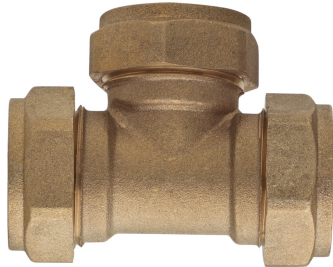
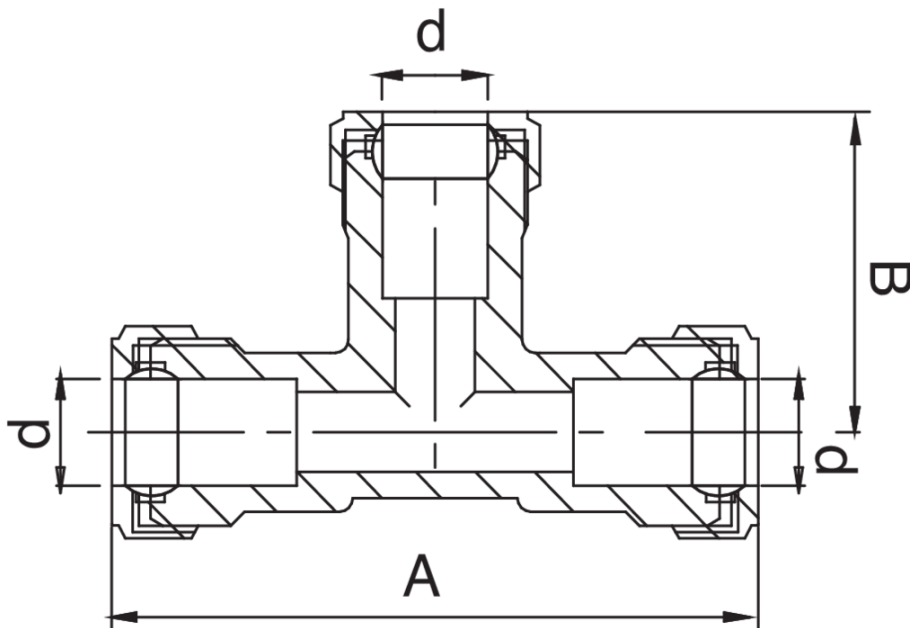


OT6005

T-Stück I/I/I.



Technische Spezifikationen



| D | BAG | MASTER BOX | CODE | A | B |
|----|-----|------------|-----------------|----|------|
| 8 | 10 | 100 | OT6005008008008 | 47 | 23,5 |
| 10 | 10 | 100 | OT6005010010010 | 52 | 26 |
| 12 | 10 | 100 | OT6005012012012 | 53 | 26,5 |
| 14 | 10 | 100 | OT6005014014014 | 57 | 28,5 |
| 15 | 10 | 100 | OT6005015015015 | 58 | 29 |
| 16 | 10 | 100 | OT6005016016016 | 59 | 29,5 |
| 18 | 10 | 100 | OT6005018018018 | 61 | 30,5 |
| 22 | 10 | 50 | OT6005022022022 | 67 | 33,5 |
| 28 | 10 | 30 | OT6005028028028 | 84 | 42 |

Anwendungen



DRINKING WATER



HEATING



HVAC



GAS



COMPRESSED AIR



SOLAR