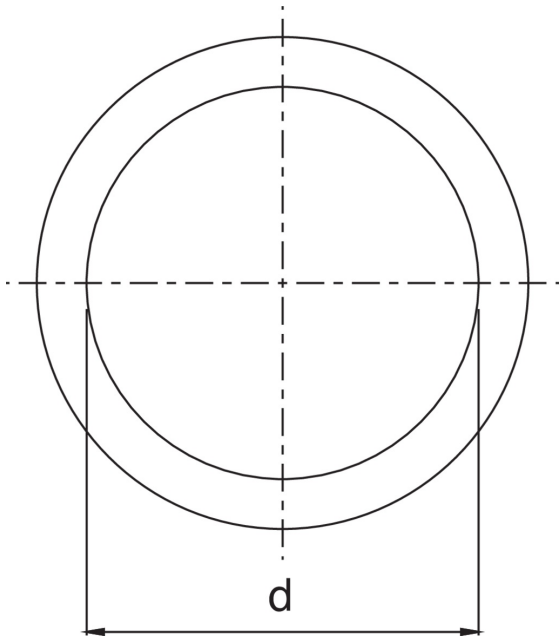


## OT2151

Scheibe.



### Technische Spezifikationen



D	BAG	MASTER BOX	CODE
8	10	10	OT2151008000000
10	10	10	OT2151010000000
12	10	10	OT2151012000000
14	10	10	OT2151014000000
16	10	10	OT2151016000000
18	10	10	OT2151018000000
22	10	10	OT2151022000000
28	10	10	OT2151028000000

## Anwendungen



DRINKING  
WATER



HEATING



HVAC



GAS



COMPRESSED  
AIR