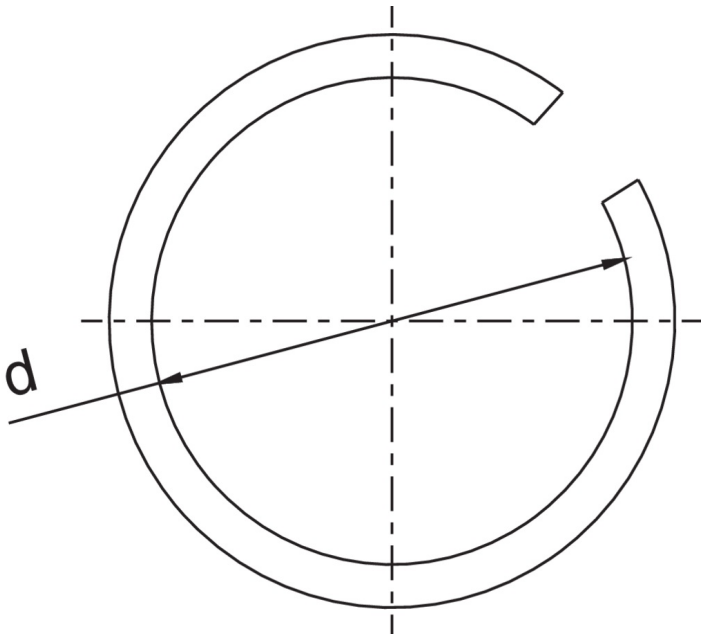


OT2150

Ring.



Technische Spezifikationen



D	BAG	MASTER BOX	CODE
8	10	10	OT2150008000000
10	10	10	OT2150010000000
12	10	10	OT2150012000000
14	10	10	OT2150014000000
16	10	10	OT2150016000000
18	10	10	OT2150018000000
22	10	10	OT2150022000000
28	10	10	OT2150028000000

Anwendungen



DRINKING
WATER



HEATING



HVAC



GAS



COMPRESSED
AIR