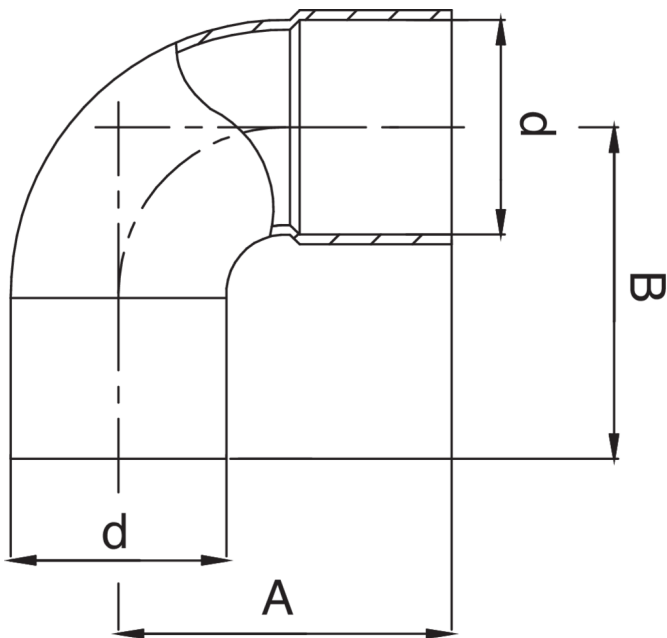


FR5092

Winkel 90° I/A.



Technische Spezifikationen



D	BAG	MASTER BOX	CODE	A	B
1/4"	10	400	FR5092A14A14000	14	15
3/8"	10	300	FR5092A38A38000	15,5	16
1/2"	10	350	FR5092A12A12000	18	20
5/8"	10	60	FR5092A58A58000	21	25
3/4"	10	60	FR5092A34A34000	26	30
7/8"	10	40	FR5092A78A78000	31	34
1"	5	20	FR5092B01B01000	32	36
1"1/8	5	100	FR5092B18B18000	39	43
1"1/4	5	50	FR5092B14B14000	38	41
1"3/8	5	40	FR5092B38B38000	44	50
1"5/8	5	50	FR5092B58B58000	50	51
2"1/8	1	8	FR5092C18C18000	62,5	64
2"5/8	1	10	FR5092C58C58000	76	79
3"1/8	1	10	FR5092D18D18000	91	97

Anwendungen



REFRIGERATION