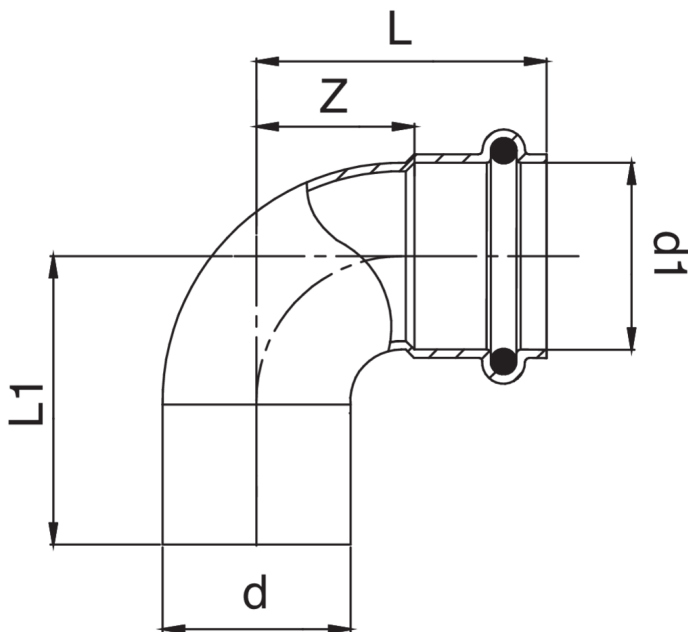


RJ5092

Löt/Press-Winkel 90° A/I mit O-Ringe.



Technische Spezifikationen



| D X D1 | BAG | MASTER BOX | CODE | L | L1 | Z |
|---------|-----|------------|-----------------|----|----|----|
| 32 x 32 | 10 | 50 | RJ5092032032000 | 40 | 44 | 16 |
| 40 x 40 | 10 | 50 | RJ5092040040000 | 51 | 53 | 21 |

Anwendungen



DRINKING WATER



HEATING



HVAC



GAS



COMPRESSED AIR



SOLAR



INDUSTRIAL