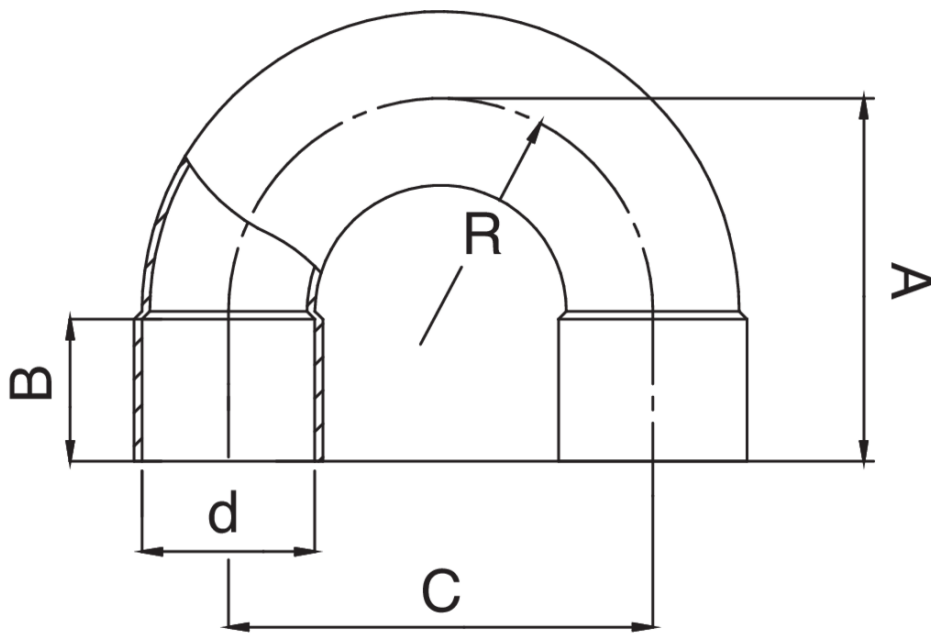




Doppelbogen 180° I/I.

Technische Spezifikationen



D	BAG	MASTER BOX	CODE	A	B MIN	C	R
10	10	300	RR5060010010000	24,5	7,8	30	15
12	10	250	RR5060012012000	27	8,6	36	18
14	10	200	RR5060014014000	35	10,6	45	22,5
15	10	100	RR5060015015000	30,5	10,6	45	22,5
16	10	150	RR5060016016000	35	10,6	48	24
18	10	150	RR5060018018000	39,5	12,6	54	27
22	10	60	RR5060022022000	47	15,4	66	32
28	5	60	RR5060028028000	59	18,4	84	42
35	5	30	RR5060035035000	93	23	140	47,5
42	1	12	RR5060042042000	112	27	168	84
54	1	6	RR5060054054000	140	32	216	108

Anwendungen



DRINKING WATER



HEATING



HVAC



GAS



COMPRESSED AIR



SOLAR



INDUSTRIAL