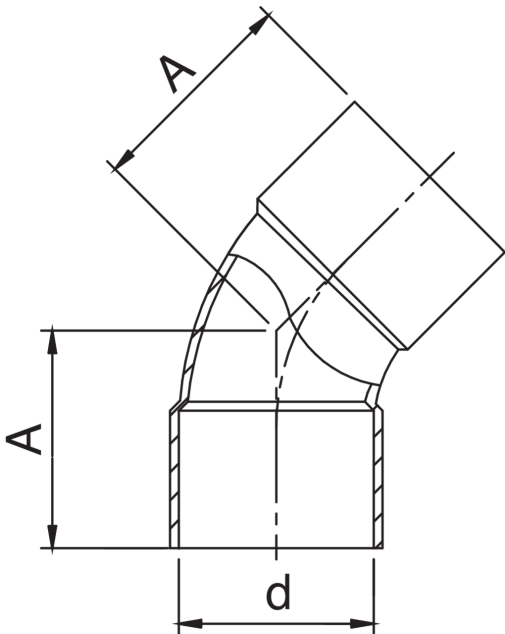


RR5041

Bogen 45° I/I.



Technische Spezifikationen



D	BAG	MASTER BOX	CODE	A
6	10	1000	RR5041006006000	14
10	10	800	RR5041010010000	12
12	10	500	RR5041012012000	13
14	10	400	RR5041014014000	15
15	10	400	RR5041015015000	15
16	10	500	RR5041016016000	15,5
18	10	200	RR5041018018000	18
20	10	350	RR5041020020000	21
22	10	100	RR5041022022000	21,5
25	10	200	RR5041025025000	24
28	10	80	RR5041028028000	25,5
32	10	100	RR5041032032000	31,5
35	5	100	RR5041035035000	33
36	5	100	RR5041036036000	33,5
40	5	80	RR5041040040000	37
42	5	50	RR5041042042000	38
52	5	10	RR5041052052000	45
54	5	10	RR5041054054000	46
63	1	20	RR5041063063000	52,5
64	1	20	RR5041064064000	62
66,7	1	15	RR5041067067000	52,5
76,1	1	10	RR5041076076000	58
80	1	12	RR5041080080000	64
88,9	1	10	RR5041089089000	65
108	1	5	RR5041108108000	79

Anwendungen



DRINKING
WATER



HEATING



HVAC



GAS



COMPRESSED
AIR



SOLAR



INDUSTRIAL