



FRABO

frabo
press
C-STEEL M
CM0243

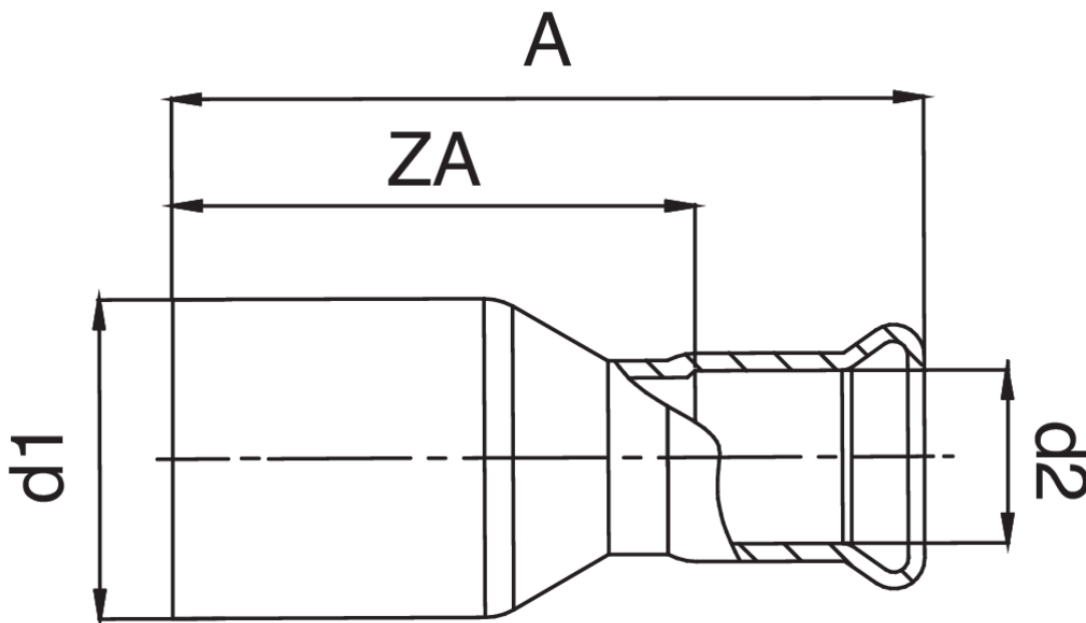
PATENTED



Reduzierstück I/A.



Technische Spezifikationen



| D1 X D2 | BAG | MASTER BOX | CODE | A | ZA |
|---------|-----|------------|-----------------|-----|------|
| 18 x 15 | 10 | 200 | CM0243018015000 | 55 | 36 |
| 22 x 15 | 10 | 150 | CM0243022015000 | 60 | 31 |
| 22 x 18 | 10 | 150 | CM0243022018000 | 60 | 41 |
| 28 x 15 | 5 | 100 | CM0243028015000 | 68 | 49 |
| 28 x 18 | 10 | 100 | CM0243028018000 | 68 | 49 |
| 28 x 22 | 10 | 100 | CM0243028022000 | 63 | 42 |
| 35 x 15 | 5 | 100 | CM0243035015000 | 27 | 67,5 |
| 35 x 18 | 5 | 50 | CM0243035018000 | 77 | 58 |
| 35 x 22 | 10 | 60 | CM0243035022000 | 70 | 49 |
| 35 x 28 | 10 | 50 | CM0243035028000 | 67 | 45 |
| 42 x 22 | 5 | 40 | CM0243042022000 | 106 | 61 |
| 42 x 28 | 5 | 40 | CM0243042028000 | 82 | 60 |
| 42 x 35 | 5 | 40 | CM0243042035000 | 76 | 51 |
| 54 x 22 | 5 | 20 | CM0243054022000 | 99 | 78 |
| 54 x 28 | 5 | 20 | CM0243054028000 | 96 | 74 |
| 54 x 35 | 5 | 20 | CM0243054035000 | 94 | 69 |
| 54 x 42 | 5 | 20 | CM0243054042000 | 95 | 66 |

Anwendungen



HEATING



HVAC



COMPRESSED
AIR