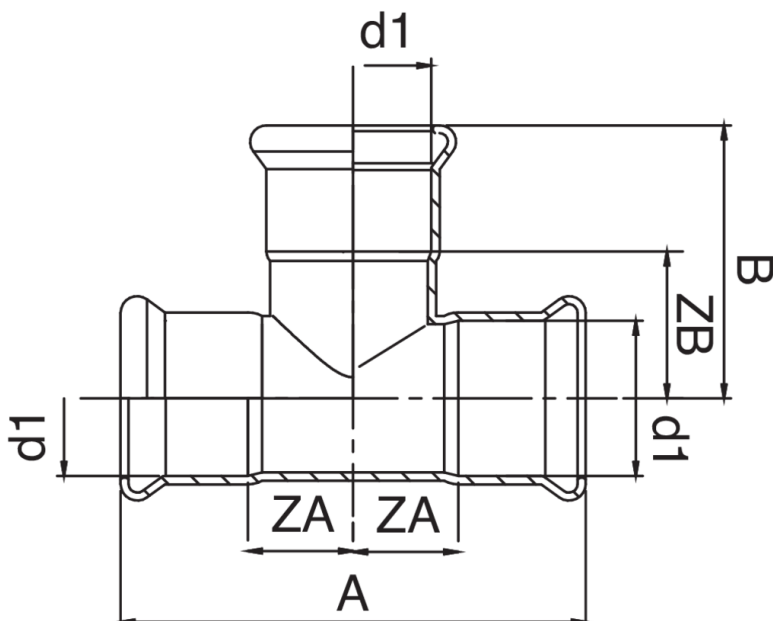


T-Stück I/I.



## Technische Spezifikationen



| D1 | BAG | MASTER BOX | CODE            | A   | B  | ZA   | ZB |
|----|-----|------------|-----------------|-----|----|------|----|
| 15 | 10  | 100        | CM0130015015015 | 75  | 38 | 18,5 | 19 |
| 18 | 10  | 50         | CM0130018018018 | 80  | 39 | 21   | 20 |
| 22 | 5   | 40         | CM0130022022022 | 82  | 44 | 20   | 23 |
| 28 | 5   | 30         | CM0130028028028 | 92  | 49 | 24   | 27 |
| 35 | 5   | 20         | CM0130035035035 | 102 | 57 | 26   | 32 |
| 42 | 1   | 10         | CM0130042042042 | 118 | 69 | 30   | 40 |
| 54 | 1   | 10         | CM0130054054054 | 142 | 79 | 37   | 45 |

## Anwendungen



HEATING



HVAC



COMPRESSED  
AIR