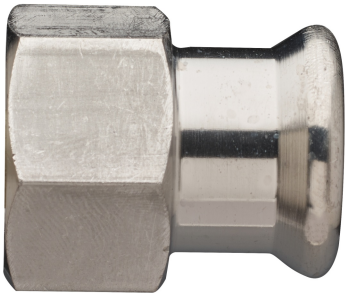
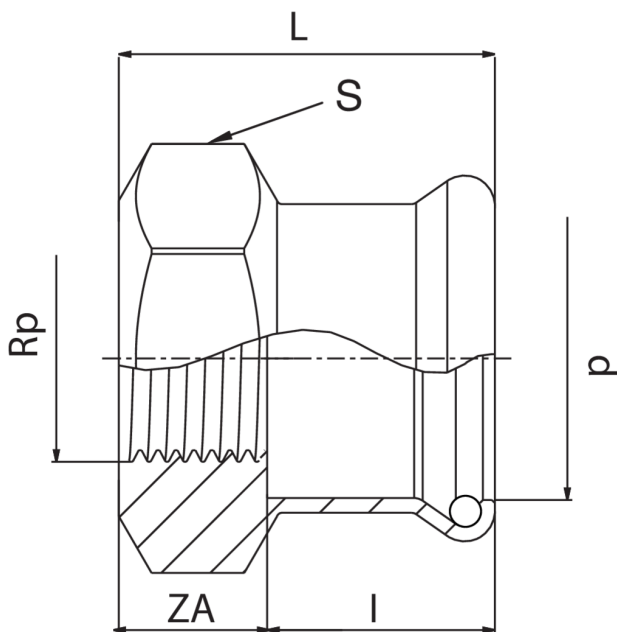


Übergangsstück I mit I Gewinde.



Technische Spezifikationen



D X RP	BAG	MASTER BOX	CODE	I	L	S	ZA
15 x 1/2"	10	150	MXF270A12015000	19	36	27	17
15 x 3/4"	10	200	MXF270A34015000	42	19	16,3	23
18 x 1/2"	10	40	MXF270A12018000	19	36	27	17
18 x 3/4"	10	100	MXF270A34018000	19	38	32	19
22 x 1/2"	10	100	MXF270A12022000	22	37	32	15
22 x 3/4"	10	100	MXF270A34022000	22	41	32	19
22 x 1"	5	50	MXF270B01022000	22	43	38	21
28 x 3/4"	5	50	MXF270A34028000	22	37	38	15
28 x 1/2"	5	100	MXF270A12028000	39	22	15	17
28 x 1"	5	50	MXF270B01028000	22	43	38	21
28 x 1"1/4	5	90	MXF270B14028000	49,5	22	21,4	27,5
35 x 1"	5	20	MXF270B01035000	25	81	45	56
35 x 1"1/2	5	60	MXF270B12035000	55	27	21,4	28
35 x 1"1/4	1	30	MXF270B14035000	25	72	50	47
42 x 1"1/4	2	50	MXF270B14042000	55	30	21,4	25
42 x 1"1/2	1	20	MXF270B12042000	29	74	55	45
54 x 1"1/2	2	24	MXF270B12054000	60	35	21,4	25
54 x 2"	1	10	MXF270C02054000	34	84	70	50

Anwendungen



DRINKING WATER



HEATING



HVAC



COMPRESSED AIR



FIREFIGHTING



MARINE



STEAM



SOLAR



INDUSTRIAL