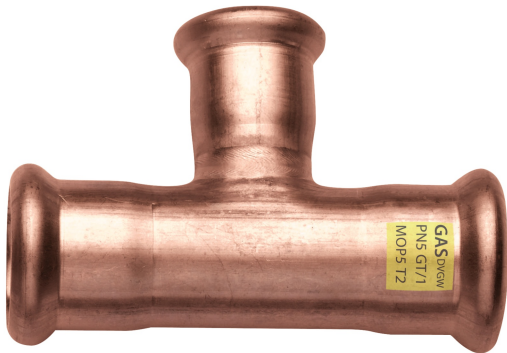
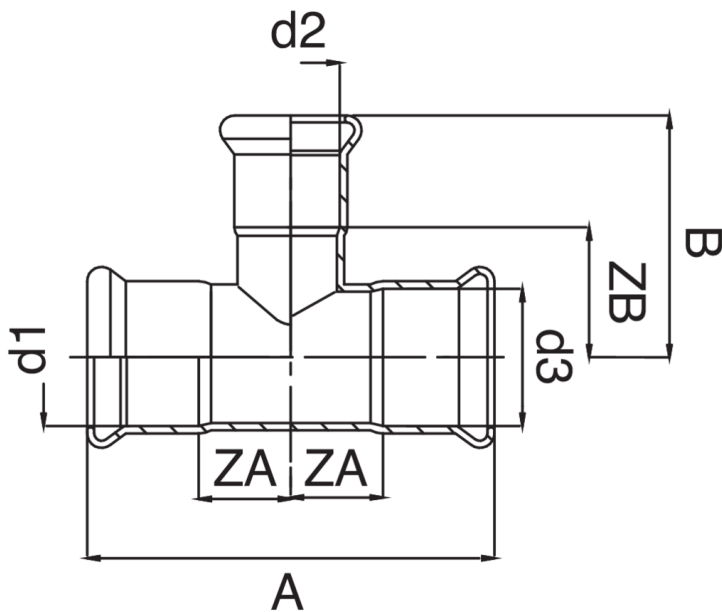


T-Stück reduziert I/I/I aus Kupfer.



Technische Spezifikationen



D1 X D2 X D3	BAG	MASTER BOX	CODE	A	B	ZA	ZB
12 x 15 x 12	10	100	QM9131012015012	56	27	10	7
15 x 12 x 12	10	100	QM9131015012012	51	25	6,5	7
15 x 12 x 15	10	100	QM9131015012015	64	32	13	14
15 x 15 x 12	5	70	QM9131015015012	68	32	15	12
18 x 15 x 15	10	80	QM9131018015015	60	29	10	9
18 x 15 x 18	10	80	QM9131018015018	68	35	14	15
22 x 12 x 22	5	60	QM9131022012022	74	34	16,5	16
22 x 15 x 15	5	50	QM9131022015015	83	38	20	18
22 x 15 x 22	5	50	QM9131022015022	74	38	15,5	18
22 x 18 x 18	5	50	QM9131022018018	81	38	19	18
22 x 18 x 22	5	50	QM9131022018022	74	38	15,5	18
22 x 22 x 15	5	40	QM9131022022015	84	37	20,5	14
22 x 22 x 18	5	50	QM9131022022018	83	37	20	14
22 x 28 x 22	5	35	QM9131022028022	78	38	16	15
28 x 15 x 28	5	30	QM9131028015028	84	41	20,5	21
28 x 18 x 28	5	30	QM9131028018028	84	41	19	18
28 x 22 x 22	5	35	QM9131028022022	85	41	19,5	18
28 x 22 x 28	5	30	QM9131028022028	84	41	22	24
28 x 28 x 22	5	30	QM9131028028022	88	42	21	19
35 x 22 x 35	5	20	QM9131035022035	90	45	25,5	21
35 x 28 x 35	5	20	QM9131035028035	100	44	25	28
42 x 28 x 42	1	10	QM9131042028042	112	49	28	24
42 x 35 x 42	1	10	QM9131042035042	112	50	24	28
54 x 42 x 54	1	8	QM9131054042054	138	64	36,5	34

Anwendungen



COMPRESSED
AIR



GAS



INDUSTRIAL