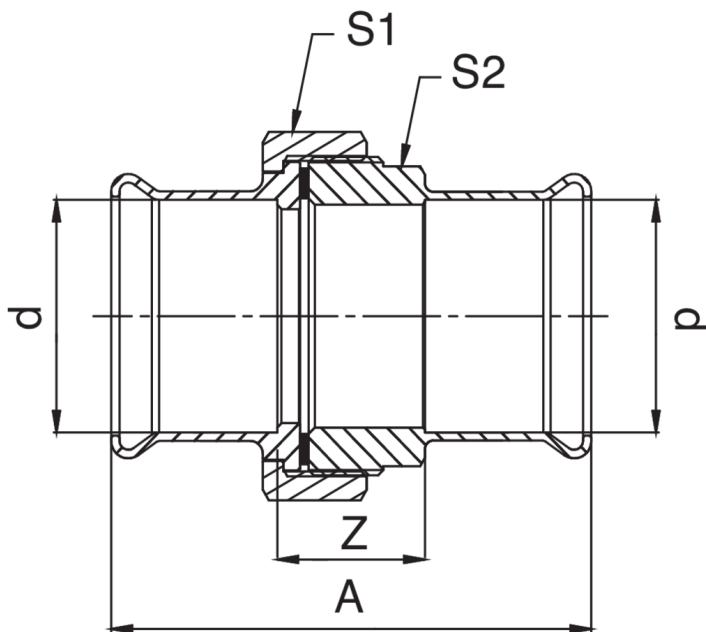


Rohrverschraubung I/I aus Rotguss.



Technische Spezifikationen



| D | BAG | MASTER BOX | CODE | A | S1 | S2 | Z |
|----|-----|------------|-----------------|-----|----|----|----|
| 12 | 10 | 50 | ZM8340012012000 | 60 | 30 | 19 | - |
| 15 | 10 | 100 | ZM8340015015000 | 70 | 30 | 22 | - |
| 18 | 10 | 100 | ZM8340018018000 | 95 | 30 | 30 | 55 |
| 22 | 5 | 40 | ZM8340022022000 | 97 | 37 | 34 | 51 |
| 28 | 5 | 30 | ZM8340028028000 | 91 | 46 | 45 | 45 |
| 35 | 5 | 20 | ZM8340035035000 | 120 | 52 | 50 | 68 |
| 42 | 1 | 10 | ZM8340042042000 | 134 | 64 | 60 | 74 |
| 54 | 1 | 8 | ZM8340054054000 | 144 | 85 | 75 | 74 |

Anwendungen



DRINKING WATER



HEATING



HVAC



COMPRESSED AIR



FIREFIGHTING