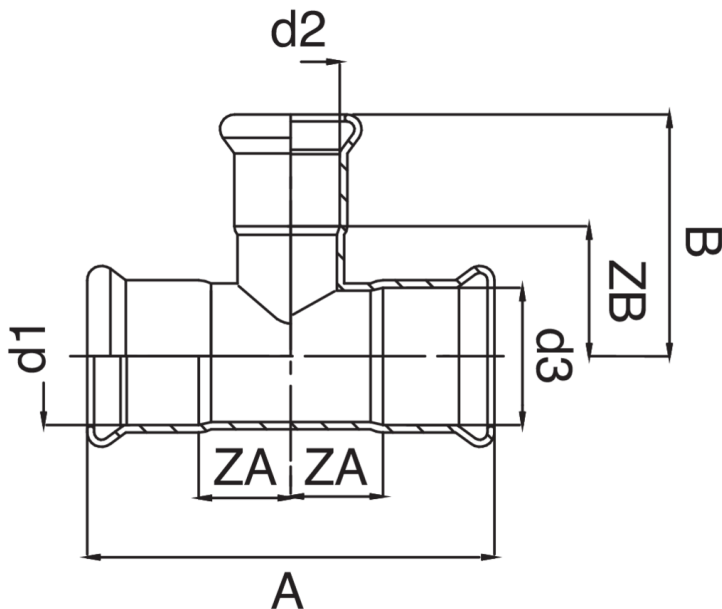


T-Stück reduziert I/I/I aus Kupfer.



Technische Spezifikationen



| D1 X D2 X D3 | BAG | MASTER BOX | CODE | A | B | ZA | ZB |
|------------------|-----|------------|-----------------|-----|-----|------|----|
| 12 x 15 x 12 | 10 | 100 | ZM9131012015012 | 56 | 27 | 10 | 7 |
| 15 x 12 x 12 | 10 | 100 | ZM9131015012012 | 51 | 25 | 6,5 | 7 |
| 15 x 12 x 15 | 10 | 100 | ZM9131015012015 | 64 | 32 | 13 | 14 |
| 15 x 15 x 12 | 5 | 70 | ZM9131015015012 | 68 | 32 | 15 | 12 |
| 15 x 18 x 15 | 5 | 80 | ZM9131015018015 | 62 | 31 | 11 | 11 |
| 15 x 22 x 15 | 5 | 50 | ZM9131015022015 | 74 | 34 | 17 | 11 |
| 18 x 12 x 15 | 5 | 50 | ZM9131018012015 | 60 | 29 | 10 | 11 |
| 18 x 12 x 18 | 10 | 80 | ZM9131018012018 | 68 | 35 | 15 | 17 |
| 18 x 15 x 15 | 10 | 80 | ZM9131018015015 | 60 | 29 | 10 | 9 |
| 18 x 15 x 18 | 10 | 80 | ZM9131018015018 | 68 | 35 | 14 | 15 |
| 18 x 18 x 15 | 10 | 80 | ZM9131018018015 | 74 | 34 | 17 | 14 |
| 18 x 22 x 18 | 5 | 50 | ZM9131018022018 | 74 | 34 | 17 | 11 |
| 22 x 12 x 22 | 5 | 60 | ZM9131022012022 | 74 | 34 | 16,5 | 16 |
| 22 x 15 x 15 | 5 | 50 | ZM9131022015015 | 83 | 38 | 20 | 18 |
| 22 x 15 x 18 | 5 | 50 | ZM9131022015018 | 81 | 38 | 19 | 18 |
| 22 x 15 x 22 | 5 | 50 | ZM9131022015022 | 74 | 38 | 15,5 | 18 |
| 22 x 18 x 15 | 5 | 50 | ZM9131022018015 | 81 | 38 | 19 | 18 |
| 22 x 18 x 18 | 5 | 50 | ZM9131022018018 | 81 | 38 | 19 | 18 |
| 22 x 18 x 22 | 5 | 50 | ZM9131022018022 | 74 | 38 | 15,5 | 18 |
| 22 x 22 x 15 | 5 | 50 | ZM913102202015 | 84 | 37 | 20,5 | 14 |
| 22 x 22 x 18 | 5 | 50 | ZM913102202018 | 83 | 37 | 20 | 14 |
| 22 x 28 x 22 | 5 | 35 | ZM9131022028022 | 78 | 38 | 16 | 15 |
| 28 x 15 x 22 | 5 | 40 | ZM9131028015022 | 85 | 41 | 19,5 | 21 |
| 28 x 15 x 28 | 5 | 30 | ZM9131028015028 | 84 | 41 | 20,5 | 21 |
| 28 x 18 x 22 | 5 | 40 | ZM9131028018022 | 85 | 41 | 19,5 | 21 |
| 28 x 18 x 28 | 5 | 30 | ZM9131028018028 | 84 | 41 | 19 | 18 |
| 28 x 22 x 22 | 5 | 30 | ZM9131028022022 | 85 | 41 | 19,5 | 18 |
| 28 x 22 x 28 | 5 | 30 | ZM9131028022028 | 84 | 41 | 22 | 24 |
| 28 x 28 x 15 | 5 | 40 | ZM9131028028015 | 92 | 42 | 24,5 | 19 |
| 28 x 28 x 22 | 5 | 30 | ZM9131028028022 | 88 | 42 | 21 | 19 |
| 35 x 15 x 35 | 5 | 25 | ZM9131035015035 | 90 | 44 | 22 | 24 |
| 35 x 18 x 35 | 5 | 25 | ZM9131035018035 | 90 | 44 | 20,5 | 22 |
| 35 x 22 x 22 | 5 | 20 | ZM9131035022022 | 92 | 45 | 21,5 | 22 |
| 35 x 22 x 28 | 5 | 25 | ZM9131035022028 | 92 | 45 | 21,5 | 22 |
| 35 x 22 x 35 | 5 | 20 | ZM9131035022035 | 90 | 45 | 25,5 | 21 |
| 35 x 28 x 28 | 5 | 20 | ZM9131035028028 | 100 | 44 | 25,5 | 21 |
| 35 x 28 x 35 | 5 | 20 | ZM9131035028035 | 100 | 44 | 25 | 28 |
| 35 x 35 x 22 | 5 | 20 | ZM9131035035022 | 100 | 50 | 25,5 | 24 |
| 35 x 35 x 28 | 5 | 20 | ZM9131035035028 | 100 | 50 | 25,5 | 24 |
| 42 x 15 x 42 | 1 | 15 | ZM9131042015042 | 100 | 48 | 23,5 | 25 |
| 42 x 22 x 42 | 1 | 15 | ZM9131042022042 | 100 | 48 | 29,5 | 26 |
| 42 x 28 x 42 | 1 | 10 | ZM9131042028042 | 112 | 49 | 28 | 24 |
| 42 x 35 x 35 | 1 | 20 | ZM9131042035035 | 112 | 49 | 28 | 24 |
| 42 x 35 x 42 | 1 | 10 | ZM9131042035042 | 112 | 50 | 24 | 28 |
| 54 x 22 x 54 | 1 | 10 | ZM9131054022054 | 120 | 54 | 31 | 31 |
| 54 x 28 x 54 | 1 | 10 | ZM9131054028054 | 120 | 55 | 31 | 32 |
| 54 x 35 x 54 | 1 | 10 | ZM9131054035054 | 122 | 55 | 30,5 | 29 |
| 54 x 42 x 54 | 1 | 10 | ZM9131054042054 | 138 | 64 | 36,5 | 34 |
| 66,7 x 28 x 66,7 | 1 | 5 | ZM9131067028067 | 182 | 76 | 46 | 53 |
| 66,7 x 35 x 66,7 | 1 | 5 | ZM9131067035067 | 182 | 79 | 46 | 56 |
| 66,7 x 42 x 66,7 | 1 | 5 | ZM9131067042067 | 182 | 82 | 46 | 52 |
| 66,7 x 54 x 66,7 | 1 | 5 | ZM9131067054067 | 182 | 91 | 46 | 56 |
| 76,1 x 22 x 76,1 | 1 | 5 | ZM9131076022076 | 148 | 62 | 48 | 41 |
| 76,1 x 28 x 76,1 | 1 | 4 | ZM9131076028076 | 152 | 65 | 52 | 42 |
| 76,1 x 35 x 76,1 | 1 | 4 | ZM9131076035076 | 160 | 67 | 60 | 41 |
| 76,1 x 42 x 76,1 | 1 | 4 | ZM9131076042076 | 172 | 80 | 72 | 50 |
| 76,1 x 54 x 76,1 | 1 | 5 | ZM9131076054076 | 218 | 85 | 118 | 50 |
| 108 x 54 x 108 | 1 | 2 | ZM9131108054108 | 234 | 125 | 94 | 75 |

Anwendungen



DRINKING WATER



HEATING



HVAC



COMPRESSED AIR



FIREFIGHTING