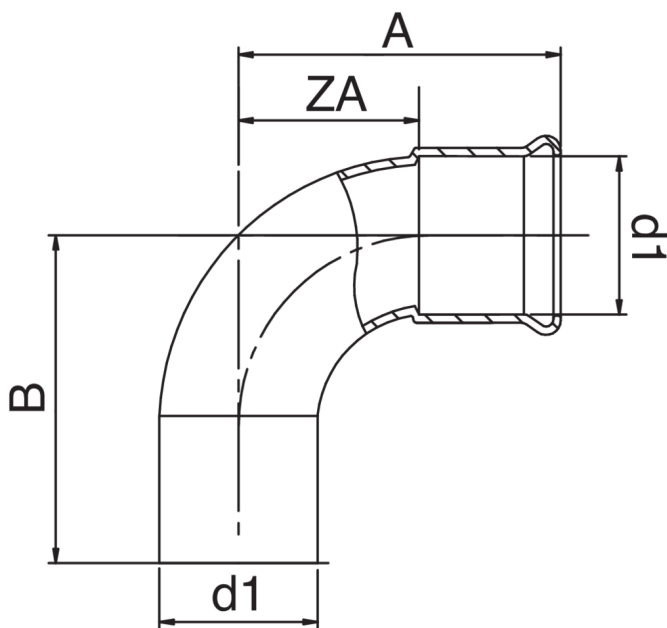




Bogen 90° I/A aus Kupfer.



Technische Spezifikationen



| D1 | BAG | MASTER BOX | CODE | A | B | ZA |
|----|-----|------------|-----------------|----|-----|----|
| 12 | 10 | 300 | ZM9001012012000 | 31 | 40 | 13 |
| 15 | 10 | 200 | ZM9001015015000 | 36 | 42 | 16 |
| 18 | 10 | 150 | ZM9001018018000 | 41 | 50 | 21 |
| 22 | 10 | 80 | ZM9001022022000 | 46 | 53 | 23 |
| 28 | 5 | 40 | ZM9001028028000 | 57 | 60 | 34 |
| 35 | 5 | 30 | ZM9001035035000 | 62 | 75 | 36 |
| 42 | 1 | 10 | ZM9001042042000 | 76 | 94 | 46 |
| 54 | 1 | 7 | ZM9001054054000 | 94 | 110 | 59 |

Anwendungen



DRINKING
WATER



HEATING



HVAC



COMPRESSED
AIR



FIREFIGHTING