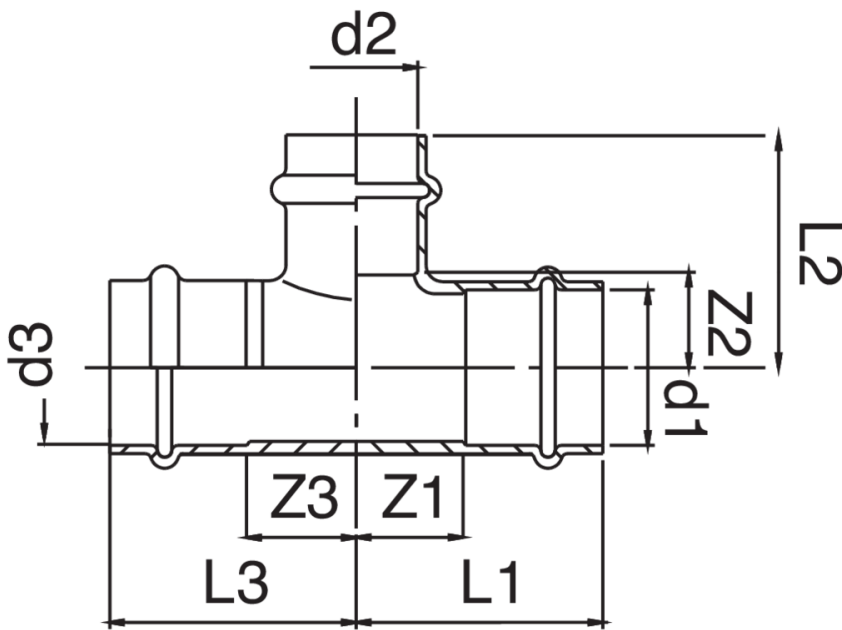


T-Stück reduziert I/I/I aus Kupfer.



## Technische Spezifikationen



D1 X D2 X D3	BAG	MASTER BOX	CODE	L1	L2	L3	Z1	Z2	Z3
12 x 15 x 12	10	100	RS9131012015012	38	32	38	20	10	20
15 x 12 x 12	10	100	RS9131015012012	39	30	39	17	12	21
15 x 12 x 15	10	100	RS9131015012015	39	30	39	17	12	17
15 x 15 x 12	5	70	RS9131015015012	41	33	41	19	11	19
15 x 18 x 15	10	80	RS9131015018015	42	35	42	20	12	20
15 x 22 x 15	5	50	RS9131015022015	45	38	45	23	14	23
18 x 12 x 18	10	80	RS9131018012018	39	31	39	16	13	16
18 x 15 x 15	10	80	RS9131018015015	41	35	45	18	13	23
18 x 15 x 18	10	80	RS9131018015018	41	35	41	18	13	18
18 x 18 x 15	5	70	RS9131018018015	42	35	47	19	12	25
18 x 22 x 18	5	50	RS9131018022018	45	36	45	22	12	22
22 x 12 x 22	5	60	RS9131022012022	39	33	39	15	15	15
22 x 15 x 15	5	50	RS9131022015015	41	37	47	17	15	25
22 x 15 x 18	5	50	RS9131022015018	41	37	44	17	15	21
22 x 15 x 22	5	50	RS9131022015022	41	37	41	17	15	17
22 x 18 x 15	5	50	RS9131022018015	42	37	50	18	14	28
22 x 18 x 18	5	50	RS9131022018018	42	37	47	18	14	24
22 x 18 x 22	5	50	RS9131022018022	42	37	42	18	14	18
22 x 22 x 15	5	50	RS9131022022015	45	38	51	21	14	29
22 x 22 x 18	5	50	RS9131022022018	45	38	51	21	14	28
22 x 28 x 22	5	35	RS9131022028022	48	39	48	24	14	24
28 x 15 x 22	5	40	RS9131028015022	41	41	45	16	19	21
28 x 15 x 28	5	30	RS9131028015028	41	41	41	16	19	16
28 x 18 x 22	5	40	RS9131028018022	42	41	47	17	18	23
28 x 18 x 28	5	30	RS9131028018028	42	41	42	17	18	17
28 x 22 x 22	5	35	RS9131028022022	45	42	50	20	18	26
28 x 22 x 28	5	30	RS9131028022028	45	42	45	20	18	20
28 x 28 x 22	5	30	RS9131028028022	48	43	53	23	18	29
35 x 15 x 35	5	25	RS9131035015035	44	44	44	18	22	18
35 x 18 x 35	5	25	RS9131035018035	44	44	44	18	21	18
35 x 22 x 28	5	25	RS9131035022028	46	45	52	20	21	27
35 x 22 x 35	5	20	RS9131035022035	46	45	46	20	21	20
35 x 28 x 28	5	20	RS9131035028028	49	46	55	23	21	30
35 x 28 x 35	5	20	RS9131035028035	49	46	49	23	21	23
42 x 22 x 42	1	15	RS9131042022042	53	52	53	17	28	17
42 x 28 x 42	1	10	RS9131042028042	55	53	55	19	28	19
42 x 35 x 42	1	10	RS9131042035042	58	55	58	22	29	22
54 x 22 x 54	1	10	RS9131054022054	60	58	60	20	34	20
54 x 28 x 54	1	10	RS9131054028054	63	59	63	23	34	23
54 x 35 x 54	1	10	RS9131054035054	68	61	68	28	35	28
54 x 42 x 54	1	10	RS9131054042054	69	71	69	29	35	29

Big-sizes, Artikel RR9131 und ZM9131, sind verfügbar.

## Anwendungen



DRINKING  
WATER



HEATING



HVAC



GAS



COMPRESSED  
AIR



FIREFIGHTING