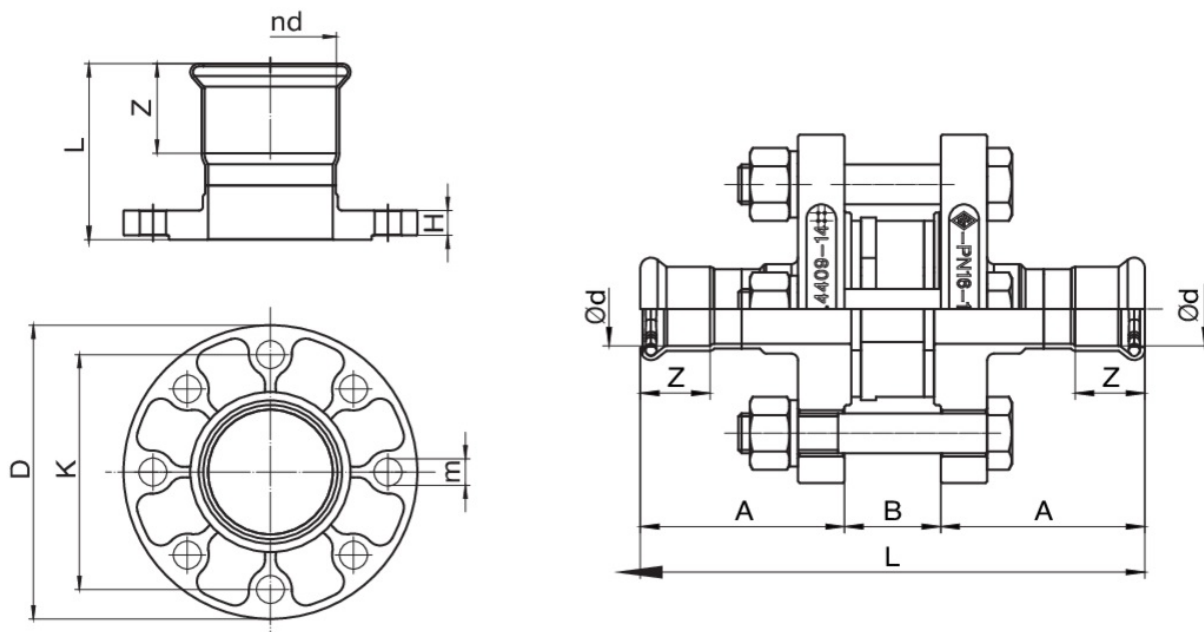


Disco-Rückschlagventil.

Technische Spezifikationen



| D | BAG | MASTER BOX | CODE | Z | A | B | L |
|------|-----|------------|-----------|----|------|----|-----|
| 15 | 1 | 8 | 52910015 | 19 | 52,5 | 26 | 131 |
| 18 | - | - | 52910018 | - | - | - | - |
| 22 | 1 | 6 | 52910022 | 21 | 57,5 | 29 | 144 |
| 28 | 1 | 6 | 52910028 | 22 | 59 | 32 | 150 |
| 35 | 1 | 4 | 52910035 | 27 | 68 | 38 | 174 |
| 42 | 1 | 4 | 52910042 | 30 | 70 | 42 | 182 |
| 54 | 1 | 2 | 52910054 | 35 | 78 | 50 | 206 |
| 76,1 | - | 1 | 52910076 | 54 | 102 | 56 | 260 |
| 88,9 | - | 1 | 52910088 | 61 | 116 | 60 | 292 |
| 108 | - | 1 | 529100108 | 76 | 134 | 70 | 338 |

Anwendungen



DRINKING
WATER



HEATING



HVAC



COMPRESSED
AIR



FIREFIGHTING



MARINE



STEAM



SOLAR



INDUSTRIAL