

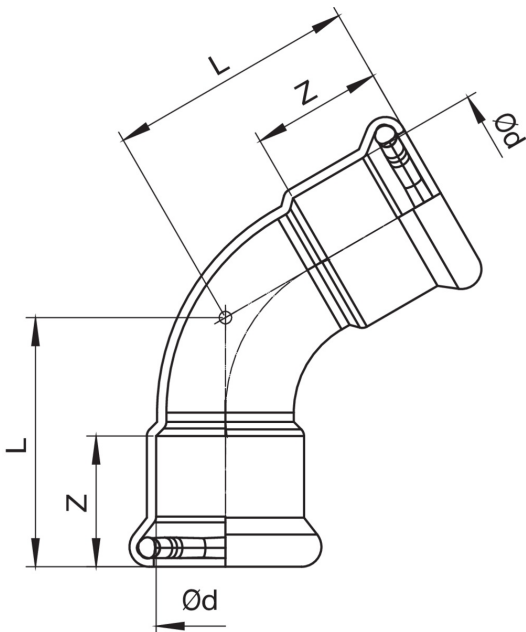


Winkelstück 60°.

NEW



Technische Spezifikationen



| D | BAG | MASTER BOX | CODE | L | Z |
|----|-----|------------|-----------------|-------|------|
| 15 | 10 | 250 | MX0049015015000 | 34 | 19 |
| 18 | 10 | 250 | MX0049018018000 | 36 | 19,5 |
| 22 | 5 | 120 | MX0049022022000 | 42,5 | 21 |
| 28 | 5 | 60 | MX0049028028000 | 46,5 | 22 |
| 35 | 5 | 50 | MX0049035035000 | 69 | 27 |
| 42 | 2 | 24 | MX0049042042000 | 88,5 | 30 |
| 54 | 2 | 16 | MX0049054054000 | 112,5 | 35 |

Anwendungen



DRINKING
WATER



HEATING



HVAC



COMPRESSED
AIR



FIREFIGHTING



MARINE



STEAM



SOLAR



INDUSTRIAL