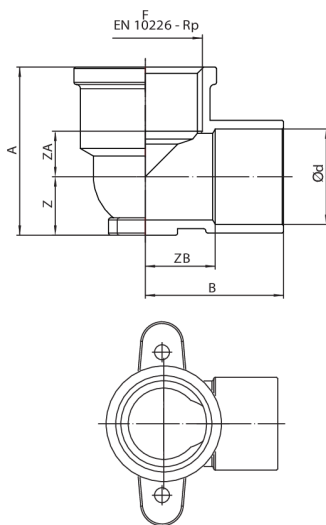


Deckenwinkel mit I Gewinde.



Technische Spezifikationen



Ø D X RP	BAG	MASTER BOX	CODE	A	B	C	G	H	ZA	ZB
12 x 1/2"	10	150	RB4472A12012000	20	26	10	5	35	11	9
12 x 3/8"	10	200	RB4472A38012000	19	27	12	4,5	30	10	7
14 x 1/2"	10	150	RB4472A12014000	23	30	10	5	35	12	9
15 x 1/2"	10	150	RB4472A12015000	23	30	10	5	35	12	9
15 x 3/4"	10	80	RB4472A34015000	28	35	15	5	39	17	11
16 x 1/2"	10	150	RB4472A12016000	23	29	10	5	35	12	10
18 x 1/2"	10	100	RB4472A12018000	26	36	10	5	35	13	12
18 x 3/4"	10	80	RB4472A34018000	29	36	15	5	39	16	12
22 x 1/2"	10	70	RB4472A12022000	27	37	10	5	35	12	14
22 x 3/4"	10	70	RB4472A34022000	31	37	15	5	39	16	13

Anwendungen



DRINKING WATER



HEATING



HVAC



GAS



COMPRESSED AIR



SOLAR



INDUSTRIAL