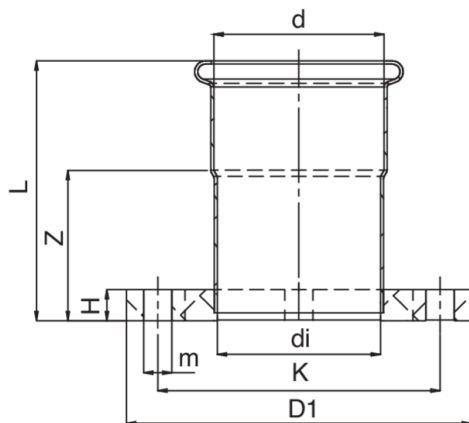




Flanschadapter I PN16.



Technische Spezifikationen



D	BAG	MASTER BOX	CODE	D1	H	H1	M
76,1	1	3	AX0273076000000	185	126	185	18
88,9	1	2	AX0273089000000	200	147	20	18
108	1	2	AX0273108000000	220	167	20	18

Anwendungen



DRINKING WATER



HEATING



HVAC



COMPRESSED AIR



FIREFIGHTING



MARINE



STEAM



SOLAR



INDUSTRIAL