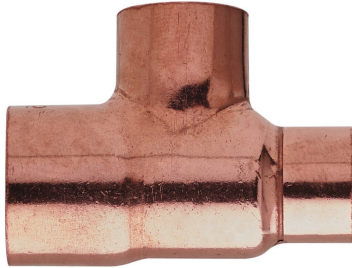
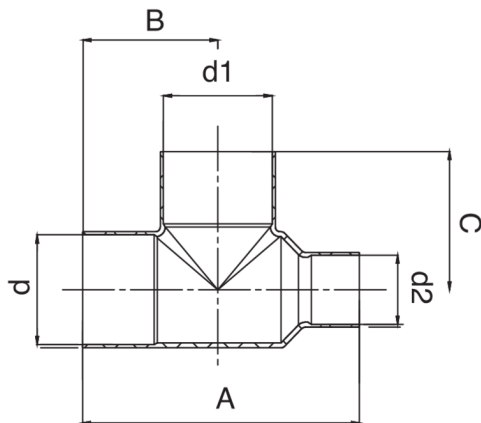


RR5130



T-Stück reduziert Seite I/I/.

Technische Spezifikationen



D X D1 X D2	BAG	MASTER BOX	CODE	A	B	C
8 x 6 x 6	10	300	RR5130008006006	24	12	11
10 x 8 x 8	10	600	RR5130010008008	28	14	13
10 x 10 x 8	10	500	RR5130010010008	30	15	14
12 x 8 x 8	10	450	RR5130012008008	30	14	15
12 x 8 x 10	10	300	RR5130012008010	30	14,5	15
12 x 10 x 8	10	450	RR5130012010008	30	15	16
12 x 10 x 10	10	400	RR5130012010010	31,5	15	15
12 x 12 x 8	10	400	RR5130012012008	31	15	15
12 x 12 x 10	10	400	RR5130012012010	34	17	17
14 x 10 x 10	10	300	RR5130014010010	34	17	16,5
14 x 10 x 12	10	300	RR5130014010012	35	17	16,5
14 x 12 x 10	10	300	RR5130014012010	37	18	17
14 x 12 x 12	10	300	RR5130014012012	37	18	17

D X D1 X D2	BAG	MASTER BOX	CODE	A	B	C
14 x 14 x 10	10	300	RR5130014014010	38	19	19
14 x 14 x 12	10	300	RR5130014014012	39	19,5	19
14 x 16 x 12	10	250	RR5130014016012	49	23,5	24,5
14 x 18 x 12	10	200	RR5130014018012	49,5	24,5	25,5
15 x 10 x 10	10	400	RR5130015010010	35	17	17
15 x 10 x 12	10	400	RR5130015010012	35	17,5	17
15 x 12 x 12	10	250	RR5130015012012	37	18	18
15 x 15 x 10	10	300	RR5130015015010	39	20	19,5
15 x 15 x 12	10	300	RR5130015015012	40	19,5	19,5
15 x 15 x 18	10	300	RR5130015015018	41	19,5	19,5
15 x 18 x 12	10	300	RR5130015018012	45,5	23	23,5
16 x 12 x 12	10	250	RR5130016012012	38	18	18,5
16 x 12 x 14	10	250	RR5130016012014	38,5	18	18,5
16 x 14 x 12	10	250	RR5130016014012	39	19	20
16 x 14 x 14	10	200	RR5130016014014	41	19	20,5
16 x 16 x 10	10	250	RR5130016016010	41,5	20	20,5
16 x 16 x 12	10	250	RR5130016016012	41,5	20	20
16 x 16 x 14	10	250	RR5130016016014	42	20	20
16 x 18 x 14	10	300	RR5130016018014	44	20,5	22,5
18 x 10 x 10	10	350	RR5130018010010	41	20	19
18 x 10 x 12	10	350	RR5130018010012	41	20	19
18 x 12 x 12	10	350	RR5130018012012	41	20	19
18 x 12 x 14	10	350	RR5130018012014	43	20	19
18 x 12 x 15	10	350	RR5130018012015	43	20	19
18 x 12 x 16	10	350	RR5130018012016	42	20	19
18 x 14 x 12	10	300	RR5130018014012	41	21	21
18 x 14 x 14	10	300	RR5130018014014	47	21	21
18 x 14 x 16	10	300	RR5130018014016	45	21	21,5
18 x 15 x 12	10	300	RR5130018015012	44	21,5	21,5
18 x 15 x 15	10	180	RR5130018015015	44	21,5	21,5
18 x 16 x 12	10	200	RR5130018016012	44	22	21,5
18 x 16 x 14	10	300	RR5130018016014	45	22	21,5
18 x 16 x 16	10	300	RR5130018016016	45	22	21,5
18 x 18 x 10	10	300	RR5130018018010	47	23	23,5
18 x 18 x 12	10	250	RR5130018018012	47	23	23,5
18 x 18 x 14	10	250	RR5130018018014	48	23	23,5
18 x 18 x 15	10	250	RR5130018018015	48	23	23,5
18 x 18 x 16	10	300	RR5130018018016	48	23	23,5
18 x 22 x 14	10	250	RR5130018022014	52	25	27
18 x 22 x 15	10	200	RR5130018022015	54	27	27
20 x 14 x 16	10	200	RR5130020014016	50	23	23,5
20 x 18 x 18	10	200	RR5130020018018	53	26	25
20 x 20 x 14	10	200	RR5130020020014	54	27	26,5
20 x 20 x 16	10	200	RR5130020020016	54	27	26,5
20 x 20 x 18	10	200	RR5130020020018	54	27	26,5
20 x 22 x 16	10	250	RR5130020022016	56	27	26,5
22 x 12 x 12	10	250	RR5130022012012	50	23	21,5
22 x 12 x 14	10	250	RR5130022012014	49	23	23,5
22 x 12 x 15	10	250	RR5130022012015	48	23	23,5
22 x 12 x 18	10	250	RR5130022012018	47	23	21
22 x 14 x 14	10	200	RR5130022014014	47	24	23
22 x 14 x 16	10	200	RR5130022014016	47	24	23
22 x 14 x 18	10	200	RR5130022014018	52	25	23,5
22 x 15 x 12	10	150	RR5130022015012	50	24,5	23,5
22 x 15 x 15	10	200	RR5130022015015	49,5	24	23
22 x 15 x 18	10	200	RR5130022015018	49	24	23
22 x 16 x 14	10	200	RR5130022016014	51,5	25	23,5
22 x 16 x 16	10	200	RR5130022016016	50,5	23,5	24,5
22 x 16 x 18	10	200	RR5130022016018	50	25	23,5
22 x 18 x 12	10	150	RR5130022018012	52	26	25
22 x 18 x 14	10	200	RR5130022018014	52	26	25
22 x 18 x 15	10	200	RR5130022018015	51	25,5	25
22 x 18 x 16	10	200	RR5130022018016	51	25,5	25
22 x 18 x 18	10	150	RR5130022018018	53	25,5	25

D X D1 X D2	BAG	MASTER BOX	CODE	A	B	C
22 x 22 x 12	10	250	RR5130022022012	55	27,5	29
22 x 22 x 14	10	250	RR5130022022014	56	27,5	28,5
22 x 22 x 15	10	250	RR5130022022015	56	27,5	28,5
22 x 22 x 16	10	250	RR5130022022016	56	27,5	29
22 x 22 x 18	10	250	RR5130022022018	57	27,5	29
22 x 22 x 20	10	200	RR5130022022020	58	28	31
22 x 28 x 15	10	200	RR5130022028015	64	31	32,5
28 x 12 x 12	10	50	RR5130028012012	51	26	24
28 x 12 x 18	10	180	RR5130028012018	53,5	25,5	24,5
28 x 12 x 22	10	180	RR5130028012022	54,5	25,5	24,5
28 x 14 x 14	10	200	RR5130028014014	54	28	26
28 x 15 x 12	10	100	RR5130028015012	54	28	26
28 x 15 x 15	10	200	RR5130028015015	57	27,5	27
28 x 15 x 18	10	150	RR5130028015018	57	27,5	27
28 x 15 x 22	10	200	RR5130028015022	59	27,5	27
28 x 16 x 16	10	200	RR5130028016016	58	28	27
28 x 16 x 18	10	200	RR5130028016018	58	28	27
28 x 16 x 22	10	150	RR5130028016022	56	28	26
28 x 18 x 12	10	180	RR5130028018012	57	29	29
28 x 18 x 15	10	150	RR5130028018015	59	29	29
28 x 18 x 18	10	180	RR5130028018018	60	29	29
28 x 18 x 22	10	150	RR5130028018022	61	29	29
28 x 22 x 12	10	150	RR5130028022012	61	31	31
28 x 22 x 15	10	150	RR5130028022015	62	31	31,5
28 x 22 x 16	10	150	RR5130028022016	63	31	31,5
28 x 22 x 18	10	150	RR5130028022018	63,5	31	31,5
28 x 22 x 22	10	160	RR5130028022022	65	31	31
28 x 28 x 14	5	100	RR5130028028014	71	34	34
28 x 28 x 15	10	150	RR5130028028015	69	34	33,5
28 x 28 x 16	10	150	RR5130028028016	68	34	34
28 x 28 x 18	10	100	RR5130028028018	70	34	34,5
28 x 28 x 22	10	130	RR5130028028022	69	34	33,5
28 x 35 x 22	5	70	RR5130028035022	76	38	36
35 x 15 x 28	5	100	RR5130035015028	67	32	30,5
35 x 18 x 22	5	100	RR5130035018022	67,5	33,5	32
35 x 18 x 28	5	100	RR5130035018028	70	33,5	32
35 x 22 x 15	5	100	RR5130035022015	71	36	34,5
35 x 22 x 18	5	100	RR5130035022018	72	36	34
35 x 22 x 22	5	100	RR5130035022022	73	36	35
35 x 22 x 28	5	100	RR5130035022028	74	36	35
35 x 28 x 18	5	80	RR5130035028018	77	39	38
35 x 28 x 22	5	100	RR5130035028022	80	39	38
35 x 28 x 28	5	80	RR5130035028028	80	39	38
35 x 35 x 15	5	70	RR5130035035015	83	42	43,5
35 x 35 x 18	5	70	RR5130035035018	84	42	43,5
35 x 35 x 22	5	70	RR5130035035022	85	42	43,5
35 x 35 x 28	5	70	RR5130035035028	87	42	43,5
36 x 28 x 22	5	100	RR5130036028022	86	42	44
42 x 22 x 35	5	70	RR5130042022035	84	40	39
42 x 28 x 22	5	50	RR5130042028022	87	43	41,5
42 x 28 x 28	5	60	RR5130042028028	87	43	41,5
42 x 28 x 35	5	50	RR5130042028035	90	43	41,5
42 x 35 x 28	5	40	RR5130042035028	96	46,5	46
42 x 35 x 35	5	40	RR5130042035035	96	46,5	46
42 x 42 x 22	5	40	RR5130042042022	99	50	50
42 x 42 x 28	5	40	RR5130042042028	101	50	50
42 x 42 x 35	5	40	RR5130042042035	103	50	50
54 x 22 x 42	1	20	RR5130054022042	93	46	45
54 x 28 x 42	1	10	RR5130054028042	103	48,5	49
54 x 35 x 35	1	8	RR5130054035035	107	51,5	54
54 x 35 x 42	1	10	RR5130054035042	108	51,5	53
54 x 42 x 42	1	10	RR5130054042042	115	54,5	57
54 x 54 x 22	1	20	RR5130054054022	121	61	55
54 x 54 x 28	1	20	RR5130054054028	122	61	57

D X D1 X D2	BAG	MASTER BOX	CODE	A	B	C
54 x 54 x 35	1	20	RR5130054054035	123	61	60
54 x 54 x 42	1	20	RR5130054054042	126	61	62

Anwendungen



DRINKING
WATER



HEATING



HVAC



GAS



COMPRESSED
AIR



SOLAR



INDUSTRIAL